

I = \$0.00

WO#

ORDER DATE

TERMS

SHIP DATE

CUST#

PHONE

FAX

SAB#

EMAIL

CELL

BILL TO

SHIP TO

TWILL LETTERING

Font Size FG Clr / BG Clr Location Arrange Characters

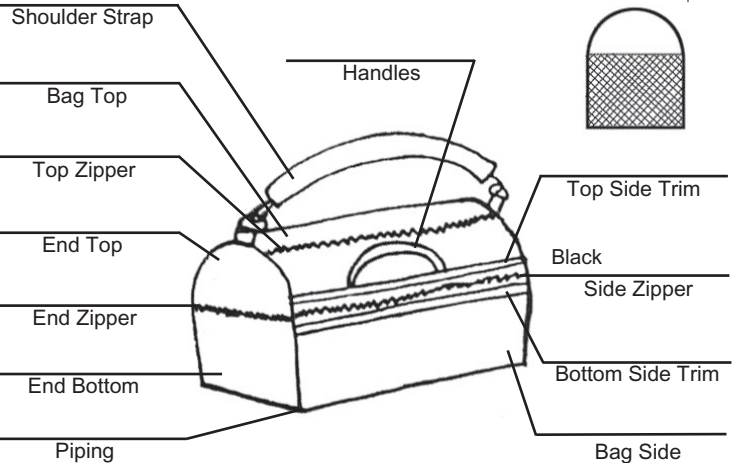
See Twill Attachments

STYLE

DESCRIPTION

QNTY

mesh pocket on one end



EMBROIDERY

See Embroidery Attachments

Logo#

Stitch Count=

Logo Loc:

truWest, Inc.
POB 1855
Huntington
Beach, CA
92647-1846
800.322.3669
truWest.com
Copyright 2011

x	= \$0.00
x	= \$0.00
x	= \$0.00
x	= \$0.00
x	= \$0.00
x	= \$0.00

Est. Ship

Ship Ins.

Tax

Product Total

\$0.00

CUSTOM ORDER - NOT RETURNABLE

STOCK ITEM - NOT CUSTOMIZED

\$0.00

Est. Total Delivered

\$0.00

CC#

Exp

Add

Zip

Ver